



**Facility Name:** Heritage Cairns

**Facility Type:** Suites

**Facility Address:** 8 Minnie St, Cairns

**Phone:** 07 4051 1211 – within Australia  
+61 7 4051 1211 – International

**Fax:** 07 4051 1380 – within Australia  
+61 7 4051 1380 – International

**Email:** [info@heritagecairns.com.au](mailto:info@heritagecairns.com.au)

**Web:** [www.heritagecairns.com.au](http://www.heritagecairns.com.au)

**Room numbers:** Three accessible rooms no interconnecting rooms



**Parking:**

There is one designated accessible parking bay provided at the rear of the property located off Grafton St. There is an accessible undercover drop off area immediately in front of reception.



Parking space provided at rear of property

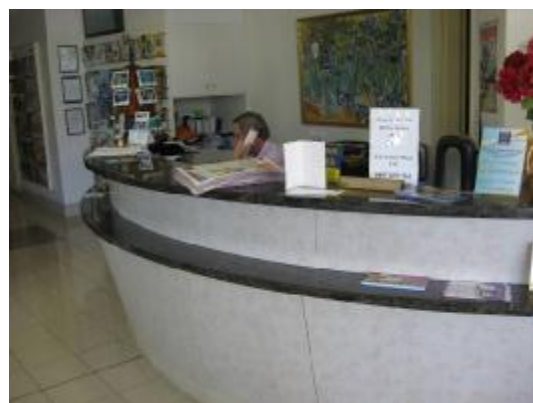
### **Entry into reception**

Entry into reception is through a double automatic door with no steps or thresholds.

Reception is a level tiled area with ample seating. The reception counter does not have a lowered section for wheel chairs but staff will assist guests if required.



Entry to Reception



Reception Desk



Reception lounge



Internet station

### **Access to public areas**

There is good access to the pool and garden area, The pool will not be accessible to all guests but those that are able to transfer or with higher levels of ability may be able to use the pool.



Pool and garden area

### **Lift**

A lift is provided to take guests to the third accessible room. The lift entry is 900mm clear space, the lift car is 1170mm wide by 1400mm deep. The buttons are fitted 1100mm from the floor and are tactile and Braille.

### **Accommodation:**

The accessible guest rooms are on level access with no steps or sills. The door handles are L style levers and the door widths are 830mm.

Room furniture can be moved to suit the guest's requirements, just notify staff when booking.

The rooms are configured with a zip together queen bed or split into two single beds (see photo). Under bed clearance is 40mm and the height to the top of bed is 550mm.

The widest point from the side of the bed will vary with the configuration but you will on average achieve 900-1000mm.

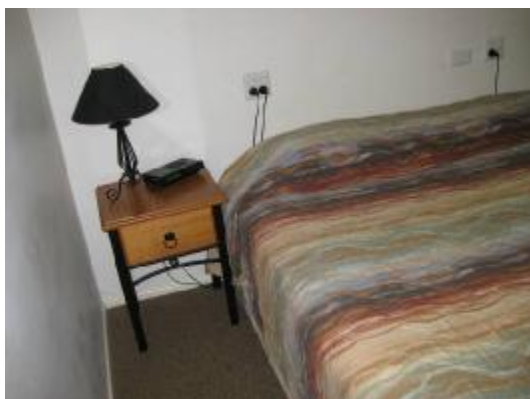
A small writing desk is provided in the room with a top height of 710mm and a height from floor to underside of 680mm. There is a coffee/tea making facility and small bar fridge underneath. The TV can be controlled by remote from the bed. The air conditioner does not operate off a remote and the controls may be out of reach for some guests. Staff will assist with the air conditioner if required. The height of the cupboard clothes rail is 1500mm above the floor.

All the switches are large dish type and located 1000mm from the floor in easily accessible locations.

The room balcony has a sliding door track to negotiate and may not be accessible to all guests.



Single bed configuration



Queen bed configured room



Tea making facilities



Writing desk

### **Sanitary Facilities:**

Entry into the accessible shower and toilet is through a 860mm door. The facility is a combined toilet and shower with a dimension of 2370mm long by 1960mm wide. The shower is hob less and easily accessible.

Grab rails are fitted to the toilets and are mounted 810mm from the floor to top of grab rail.

Shower is fitted with a fold down seat that is 600mm long by 420 wide and 430mm from floor to top of seat. There is a horizontal and vertical grab rail fitted and the shower has individual hot and cold flick mix tap. A shower commode can be hired from Phoenix Medical and Prescription and delivered to the accommodation if required. Contact Phoenix on 4041 3629.

The toilet is fitted with grab rails and is located 480mm from the side wall. The top of the seat is 480mm from floor to top.

Clearance to the under side of the sink is 600mm with a top height of 780mm. The base of the mirror from floor is 1020mm.



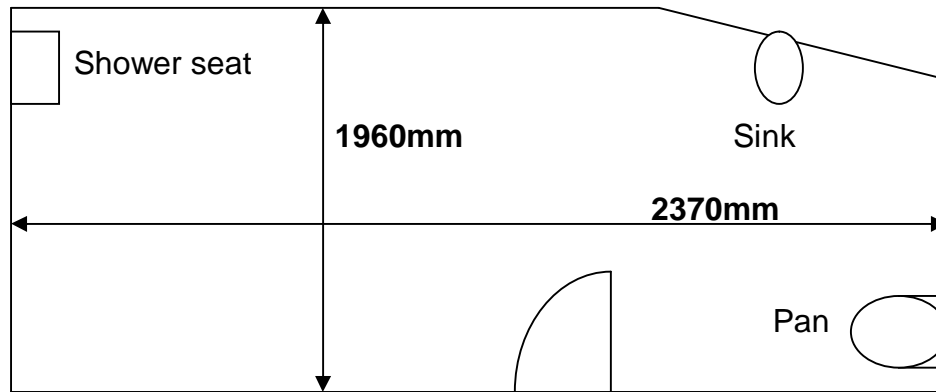
Shower and seat



Toilet grab rail configuration



Sink



**General:**

Staff are very friendly and will assist with baggage if required.

Assistance dogs are welcome on the premises.

The accommodation is located a short stroll from the CBD and you will find many great restaurants located along the esplanade and within the CBD as well as great shopping.