



Facility Name: Villa Marine Holiday Apartments

Facility Type: Resort

**Facility Address: 8 Rutherford Street
Yorkeys Knob**

**Phone: 07 4055 7158 – within Australia
+61 7 4055 7158 – International**

**Fax: 07 4055 8350 – within Australia
+61 7 4055 8350 – International**

Email: info@villamarine.com.au

Name of contact person: Peter Sprigg

Web: www.villamarine.com.au

Room numbers: 1 accessible room. (ambulant)

Parking:

There are no accessible parking bays provided for guests, but the Manager will shift the sign posts so the customers can park up close on level ground. The clear opening space of the main entrance gate is 880 mm. There is a step into the reception (as shown in photo)



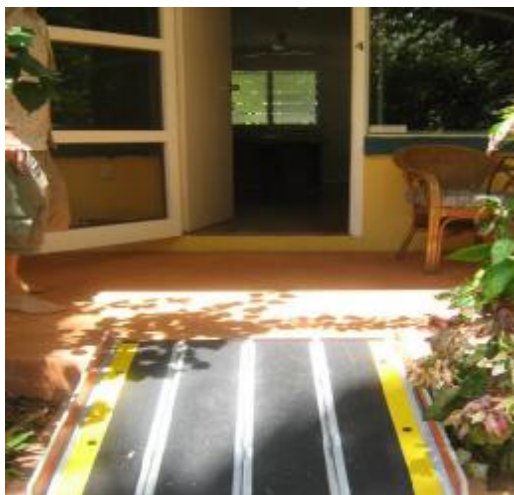
.Access to public areas



The laundry has a lip of about 100mm, which may make access difficult.

Accommodation:

There is one room with can be accessed by a portable ramp which the very obliging manager with organise and install for you.



Room furniture can be moved to suit the guest's requirements.



The room has a double bed which can only be accessed from one side with the widest space at the side of the bed being 710mm. The room also has two

single beds. Under bed clearance is 80mm and the height to the top of bed is 590mm.

The room has a table with a height of 740mm to the top of the table and a 700mm under clearance. The clothes rail is located 1800mm from the floor surface.

The height of the light switch is 1140 mm.



Bathroom Facilities:



Entry into the shower and toilet is through a door with a clear width of 690mm.

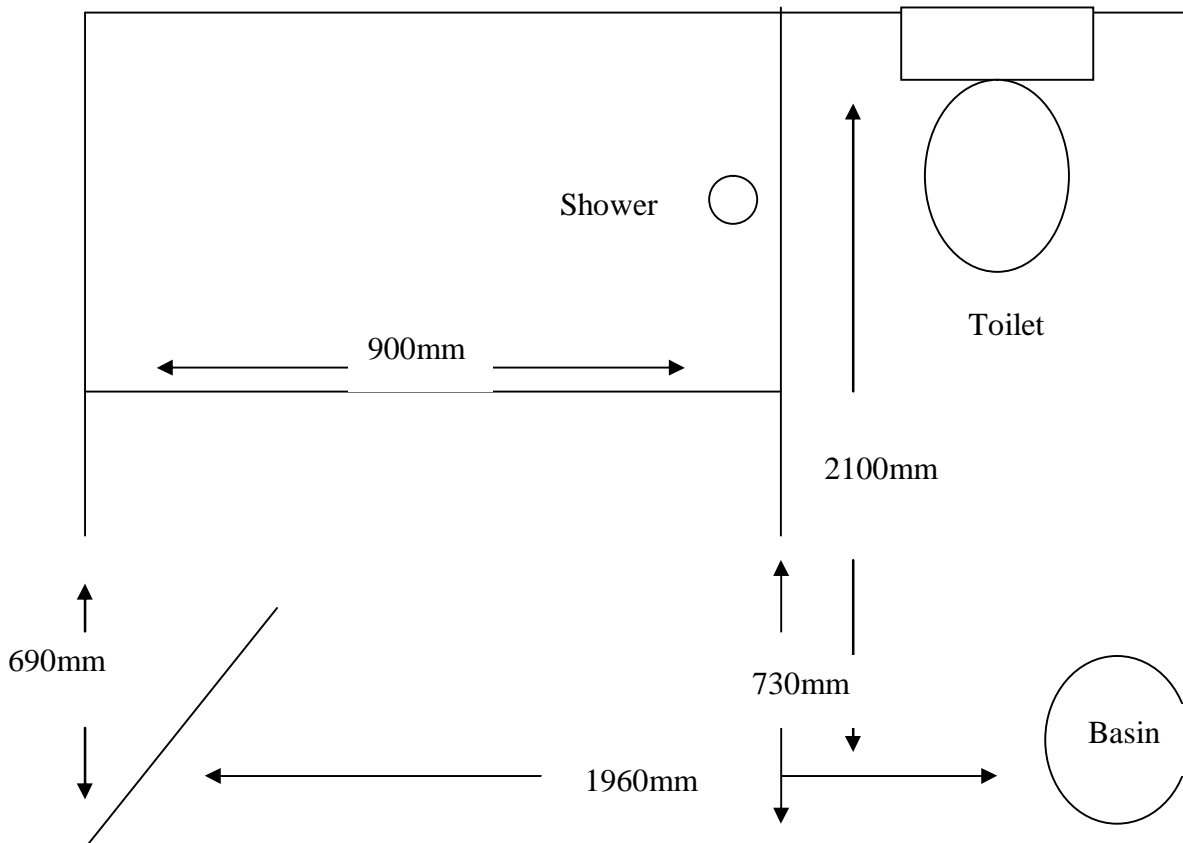
The facility has a separate toilet and shower. The shower has a hob as shown in the photo.

There is a vertical grab rail only fitted in the shower.

Grab rails are fitted to the toilet wall and is mounted 800mm from the floor to top of grab rail.



Clearance to the under side of the sink is 720mm with a top height of 820mm. The height from the floor to the base of the mirror is 1300mm, which is above the sink. There is a long mirror on the inside of the wardrobe in the main room.



General:

The Manager is very friendly and is willing to assist with baggage etc and ensuring you are comfortable during your stay.

Assistance dogs are welcome and may stay in room.

There is a portable adjustable shower chair if required.